

# DIMBLER Collection | Components

## PORCELAIN SWITCHES AND BRASS KNOBS

White  
porcelain



Black nickel knob  
and screws



Bright copper  
knob and screws



Bright gold knob  
and screws



Bright chrome  
knob and screws



Aged brass knob  
and screws

Black  
porcelain



## PORCELAIN SWITCHES, BRASS DOME AND KNOB

White  
porcelain



Satin nickel  
dome and bright  
chrome knob



Bright copper  
dome and knob



Satin gold dome  
and bright  
gold knob



Bright chrome  
dome and knob



Antique bronze  
dome and aged  
brass knob

Black  
porcelain



Black nickel  
dome and knob



**WOODEN BASES**

---

Aged beech



Honey-coloured beech



Natural beech



Unvarnished beech



**PORCELAIN FRAMES**

---

White porcelain



Black porcelain



Decor porcelain



Craquelé Porcelain



Coton porcelain



Vert île porcelain



Camille porcelain



Cru porcelain



**WOODEN FRAMES**

---

Aged beech



Honey-coloured beech



Natural beech



Unvarnished beech



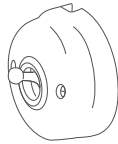
# DIMBLER Collection | Installation Types and Component Selection

## INSTALLATION WITHOUT FLUSH-MOUNTED BOX (SWITCHES WITH CABLE INLET)



With exposed cable

=



DIMBLER switch with cable inlet (p. 62)

+

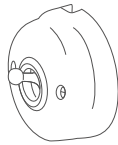


Cable and insulator (p. 56 and 57)



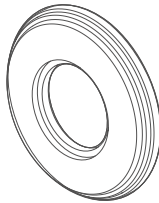
With exposed cable and frame

=



DIMBLER switch with cable inlet (p. 62)

+



Frame (p. 56)

+



Adapter for surface-mounted frame (p. 56)

+

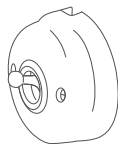


Cable and insulator (p. 56 and 57)



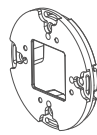
With exposed conduit and base

=



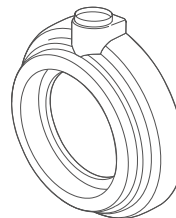
DIMBLER switch with cable inlet (p. 62)

+



Optional height supplement\* (p. 55)

+



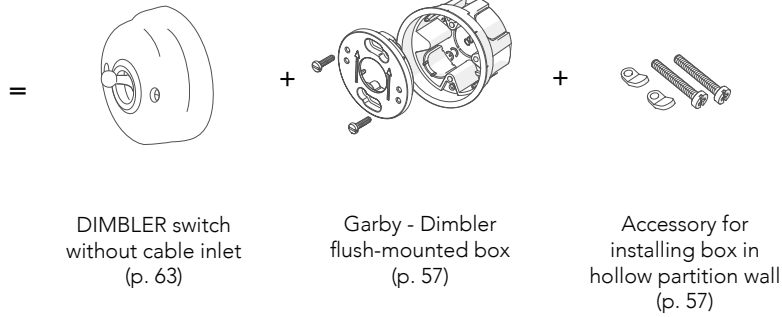
Base with conduit inlet (p. 55)

\*To be used with Dimbler switch without cable inlet.

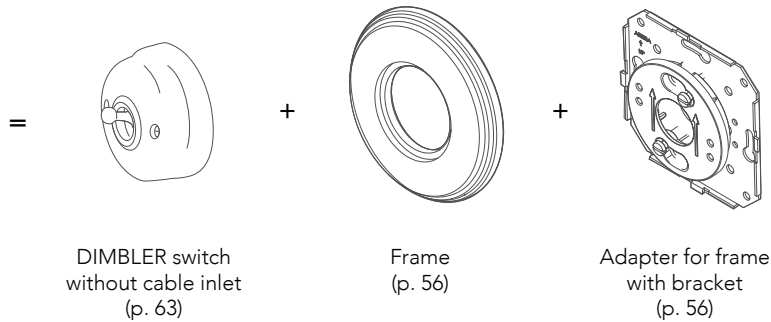
**INSTALLATION WITH FLUSH-MOUNTED BOX (SWITCHES WITHOUT CABLE INLET)**



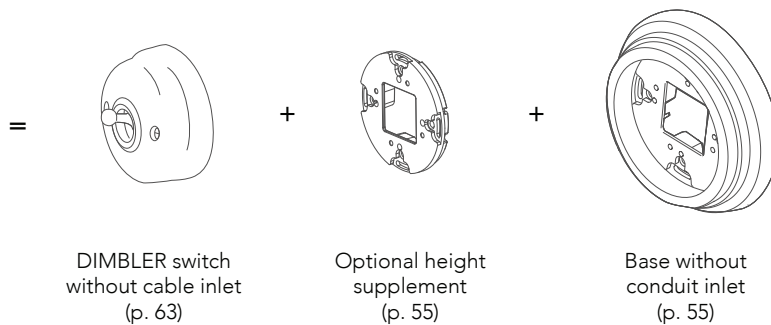
With Garby-Dimble flush-mounted box



With universal flush-mounted box and frame



With universal flush-mounted box and base




DIMBLER Collection  
Installation Guide

# DIMBLER Collection


60308--2

**WITH CABLE INLET** (INSTALLATION WITHOUT FLUSH-MOUNTED BOX)

**SWITCHES** 10AX 250Vac

Description	Reference
 Two-way switch	60308 - - 2
Intermediate switch	60304 - - 2
Double-pole switch	60314 - - 2
Toggle push button 10A	60312 - - 2

**PUSH BUTTON** 6A 250Vac/24Vdc

Description	Reference
 Push button*	60310 - - 2

\* Only with brass dome.

PORCELAIN FINISH / BRASS HANDLE

Black nickel	Bright copper	Bright gold	Bright chrome	Aged brass
				
41	42	43	44	45
Black nickel	Bright copper	Bright gold	Bright chrome	Aged brass
				
21	22	23	24	25

BRASS DOME FINISH / BRASS HANDLE

Satin nickel / bright chrome	Bright copper	Satin gold / bright gold	Bright chrome	Antique bronze / aged brass
				
51	72	52	81	70
Black nickel	Bright copper	Satin gold / bright gold	Bright chrome	Antique bronze / aged brass
				
79	78	74	77	75

**ACCESSORIES** INSTALLATION WITHOUT FLUSH-MOUNTED BOX

Wooden bases with conduit inlet (see p. 55)



Optional accessory for installation on a base with conduit inlet (see p. 55)



Wooden or porcelain frames (see p. 56)



Accessory for installation with frame (see p. 56)



Other accessories for surface-mounted installation (see p. 56 and 57)





(INSTALLATION WITH FLUSH-MOUNTED BOX) **WITHOUT CABLE INLET**

PORCELAIN FINISH / BRASS HANDLE



BRASS DOME FINISH / BRASS HANDLE



**SWITCHES** 10AX 250Vac



Description	Reference
Two-way switch	60308 -- 2
Intermediate switch	60304 -- 2
Double-pole switch	60314 -- 2
Toggle push button 10A	60312 -- 2

**PUSH BUTTON** 6A 250Vac/24Vdc



Description	Reference
Push button*	60310 -- 2

\* Only with brass dome.

**NOTE:** For surface-mounted installation diagrams, see page 87, wiring diagrams on pages 89-90, and dimensions on page 96.

**ACCESSORIES** INSTALLATION WITH FLUSH-MOUNTED BOX

Wooden bases without conduit inlet (see p. 55)



For installation with a base on a screwless flush-mounted box (see p. 55)



Wooden or porcelain frames (see p. 56)



Accessory with support frame, for installation with frame (see p. 56)



Optional flush-mounted box for Garby - Dimbler (see p. 57)

